

# PUŠKU PUŠKU

*Create happiness*

**PRODUCTS** constantly expanding variety of models and fabrics

**SERVICES** additional services provided as print and embroidery

**EXCLUSIVE OFFERS** customization of products and creation of unique models



# Hello!

We are a young and creative team at the enterprise Ltd Pupt, which has maintained the *Pusku pusku* brand in Lithuania and abroad **since 2008**. We follow a philosophy that people do not need big changes or investments in their lives to be happy, because we believe there is something to be glad about in everyone's life.

Those joyful moments when you fall into a bean bag and dream a bit, or share your thoughts and stories about the day with your loved ones, are natural forms of happiness in which we can all participate. Inspired by this view, we offer a choice of **more than 1500** different bean bags created for modern people who seek new designs and uniqueness in every detail. With a wide range of colours, fabrics and models, even the pickiest person can find a product just for her or him.

We at *Pusku pusku* are pleased to be **the biggest bean bag manufacturer** in Northern Europe, and we are also becoming known all over the world! We are proud that there is special attention for our products in Latvia, Estonia, Germany, Finland and Sweden, which is why we export more than 50 % of them. About 90 % of products are sold with the ***Pusku pusku* brand label**, although we are also creating products for individual needs and on a white-label basis - with clients able to put their own branding on our designs.

Printed and embroidered bean bags can be even more extraordinary with the unique image or logo of a client. We try to ensure pleasant customer service and guarantee high-quality products, because **we love what we do!** We discover new ideas every day and constantly search for new opportunities, so we're open to all ideas and suggestions.

Young and creative: that's us. Let's meet each other!

**The Pusku pusku team**

# BEAN BAG GUIDE

FIND YOUR OWN BEAN BAG



**06. MINI**



**10. UP!**



**12. SOFTBOX**



**14. SOFT TABLE 60**



**16. PLUS**



**18. RAZZY**



**20. GAME**



**22. PLAY**



**26. RAZZ**



**28. TUBE**



**30. ROLL**



**32. SEAT**



**34. LOUNGE**



**36. RAZZMATAZZ**



**38. SUNBED**



**40. SOFA SEAT**



**42. MOOG**



**44. SOFA LOUNGE**



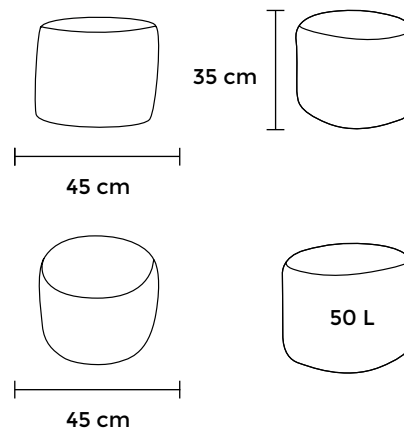
**46. SOFA MOOG**


\*You will find these bean bags on pages referred

# Mini

For unexpected guests!

Pusku pusku Catalogue



-  Length: **45 cm**
-  Height: **35 cm**
-  Width: **45 cm**
-  Volume: **50 L**
-  Handmade
-  With inner bag

*Mini* is a pouf-shaped compact bean bag designed for both children and adults. Handmade bean bag is suitable for the use in various everyday situations - to seat your unexpected guests or sit down when you put on your shoes, play table games or spend evening at the campfire in the nature. Children especially fancy this light *Mini* bean bag because it is easy to carry, making it a perfect gift for the little ones during various joyful events.

Find more Fabrics & Colours on page 50.



// MODEL & FABRIC: MINI NORDIC

Pušku pušku



**MODELS:**

- 01. SEAT QUILTED NORDIC
- 02. SEAT QUILTED NORDIC
- 03. SOFA SEAT QUILTED NORDIC
- 04. SOFT TABLE 60 QUILTED NORDIC



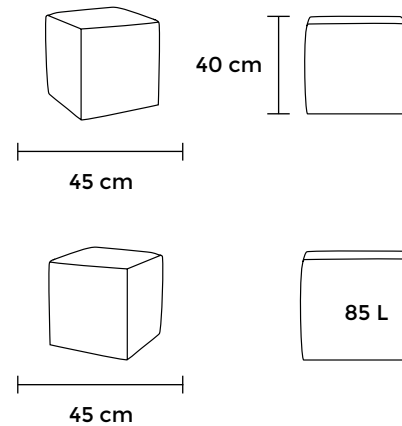







# Up!

For kids and guests!

---

Pusku pusku Catalogue



-  Length: **45 cm**
-  Height: **40 cm**
-  Width: **45 cm**
-  Volume: **85 L**
-  Handmade
-  With inner bag

*Up!* is a cube-shaped bean bag, which is the best alternative to conventional poufs. A handmade bean bag is suitable for both children and adults, because it is very practical: it is of compact size, comfortable and adaptable to body shapes. This pouf is often used to seat unexpected guests or sit down when putting on your shoes. *Up!* is a universal bean bag because it can be used as a table: you can additionally purchase a hard wooden surface, which can be used in the hall, sitting-room or bedroom.

Find more Fabrics & Colours on page 50.

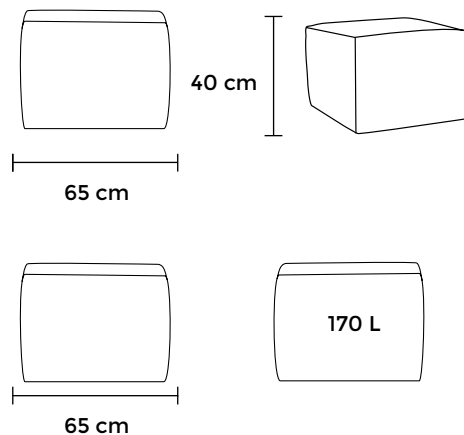


// MODEL & FABRIC: UPI HOME

# Softbox

For everyday comfort!

Pusku pusku Catalogue



Length: **65 cm**



Height: **40 cm**



Width: **65 cm**



Volume: **170 L**



Handmade



With inner bag

*Softbox* is a compact, comfortable bean bag designed for pleasant sitting every day. A handmade bean bag is universal, so it can be used as a pouf to sit down, or a table to put your things on it. Children particularly like this bean bag because of its low height and adaptation to body shape, as it is comfortable for them to play or draw. In addition, it is often used to seat unexpected guests, or to sit down when putting on your shoes. *Softbox* is a stylish pouf, which is suitable for both parents and children.

Find more Fabrics & Colours on page 50.

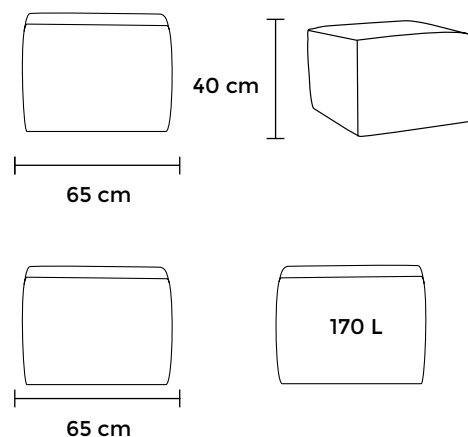



// MODEL & FABRIC: SOFTBOX NORDIC

# Soft Table 60

For sitting and setting!

Pusku pusku Catalogue



-  Length: **65 cm**
-  Height: **40 cm**
-  Width: **65 cm**
-  Volume: **170 L**
-  Handmade
-  With inner bag

*Soft Table 60* is a set consisting of a handmade bean bag and additional table top, which is designed for sitting and putting things on it. *Top 60* is white-coloured 100% plywood panel framed with natural wood at the edges that are placed on bean bag *Softbox*. This compact size pouf is often used to seat unexpected guests, to sit when putting on your shoes or stretch your tired legs. The set of *Soft Table 60* bean bag and their table top can also additionally be used as a table: to put your laptop, a book or a cup of coffee.

Find more Fabrics & Colours on page 50.



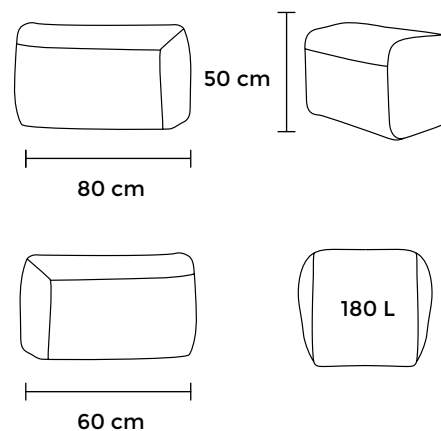
// **MODEL & FABRIC:** SOFT TABLE 60 QUILTED NORDIC



# Plus

## For tired legs!

---

Pusku pusku Catalogue



-  Length: **80 cm**
-  Height: **50 cm**
-  Width: **60 cm**
-  Volume: **180 L**
-  Handmade
-  With inner bag

*Plus* is rectangular-shaped bean bag designed to stretch your tired legs conveniently. Handmade pouf is compact in size, and therefore, takes up little space at home; it is easy to move to different places in the room. This pouf is the best combination of comfort and relaxation with Lounge or Seat bean bags. *Plus* bean bag is also often used as a storage space, or seating your unexpected guests.

Find more Fabrics & Colours on page 50.



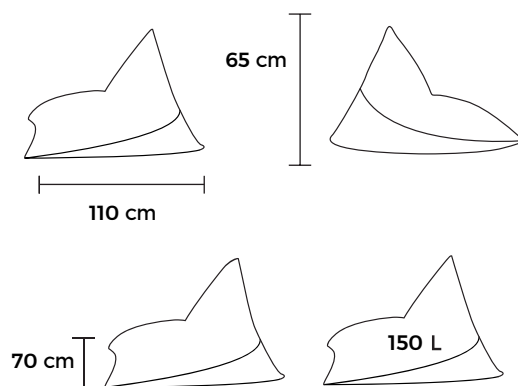


// **MODEL & FABRIC:** SEAT, SOFT TABLE 60, PLUS QUILTED OUTSIDE

# Razzy

## Razzy – For active kids!

Pusku pusku Catalogue



-  Length: **110 cm**
-  Height: **65 cm**
-  Width: **70 cm**
-  Volume: **150 L**
-  Handmade
-  With inner bag

*Razzy* is a small, triangular bean bag for kids whose rooms don't have much space. A compact piece of furniture designed with a convenient handle so that children playing or cleaning up their rooms can easily carry it elsewhere. *Razzy* is a hand-made bean bag that consists of an outer cover and an inner bag. The bubbles inside conform to the shape of your body. *Razzy* is a practical and comfortable bean bag that is smaller than the *Razz* and *Razz-matazz* bean bags.

Find more Fabrics & Colours on page 50.

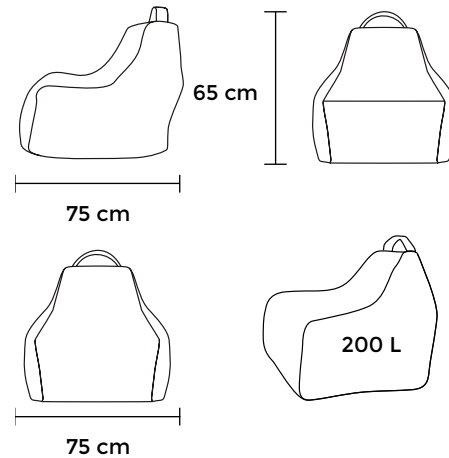


// **MODEL & FABRIC:** RAZZY QUILTED NORDIC

# Game

For happy kids!

Pusku pusku Catalogue



-  Length: **75 cm**
-  Height: **65 cm**
-  Width: **75 cm**
-  Volume: **200 L**
-  Handmade
-  With inner bag

*Game* is a handmade bean bag for children of all ages. This bean bag is equipped with additional handle, which makes it very convenient if you want to move to different gaming sites; it also has an additional pocket, where the little ones can keep their toys. *Game* is a lightweight piece of furniture for children, without sharp corners, so the little ones will avoid injuries; the granules inside it will perfectly adapt to the body shape. This lightweight baby armchair is especially popular when playing table games, drawing or watching movies.

Find more Fabrics & Colours on page 50.

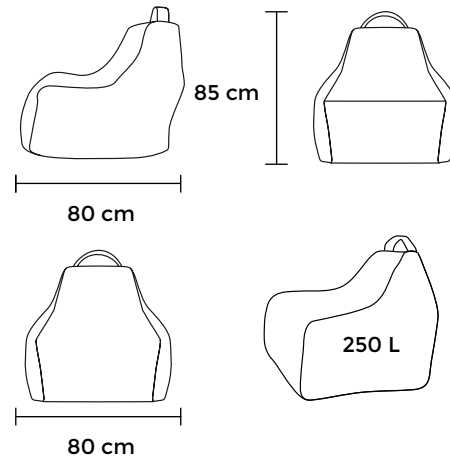


// MODEL & FABRIC: GAME OUTSIDE

# Play

For both, the big and the little ones!

Pusku pusku Catalogue



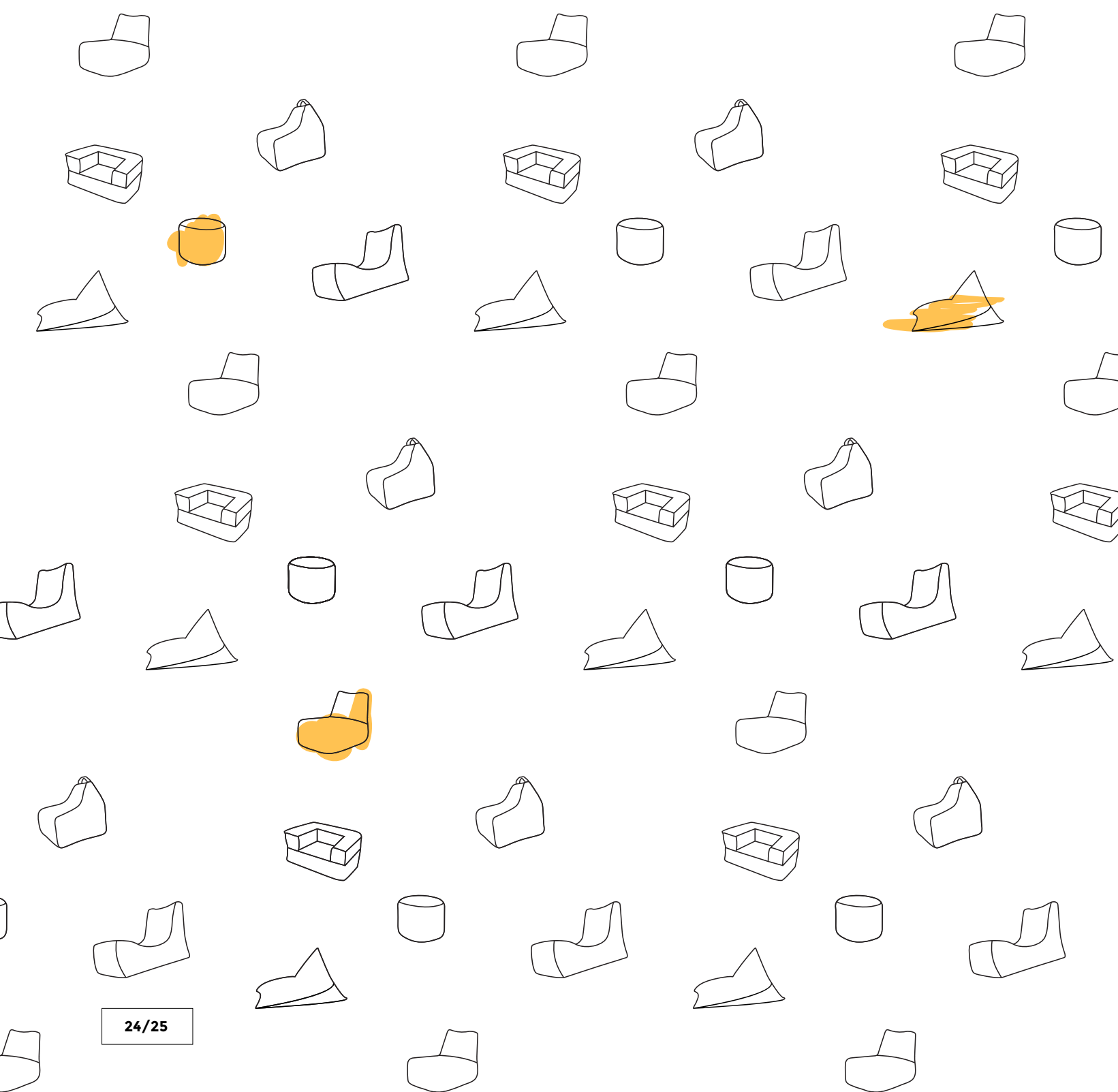
-  Length: **80 cm**
-  Height: **85 cm**
-  Width: **80 cm**
-  Volume: **250 L**
-  Handmade
-  With inner bag

*Play* is a handmade bean bag designed for both children and adults. The bean bag of compact size is with an additional handle, which makes it very convenient to move to different places in the room; the granules inside it adapt to the body shape. Soft arm-chair *Play* is often used as a promotional tool: trademark logos are printed or embroidered on bean bag. The youth organizations as well as the companies that have their recreational areas especially like this lightweight piece of furniture.

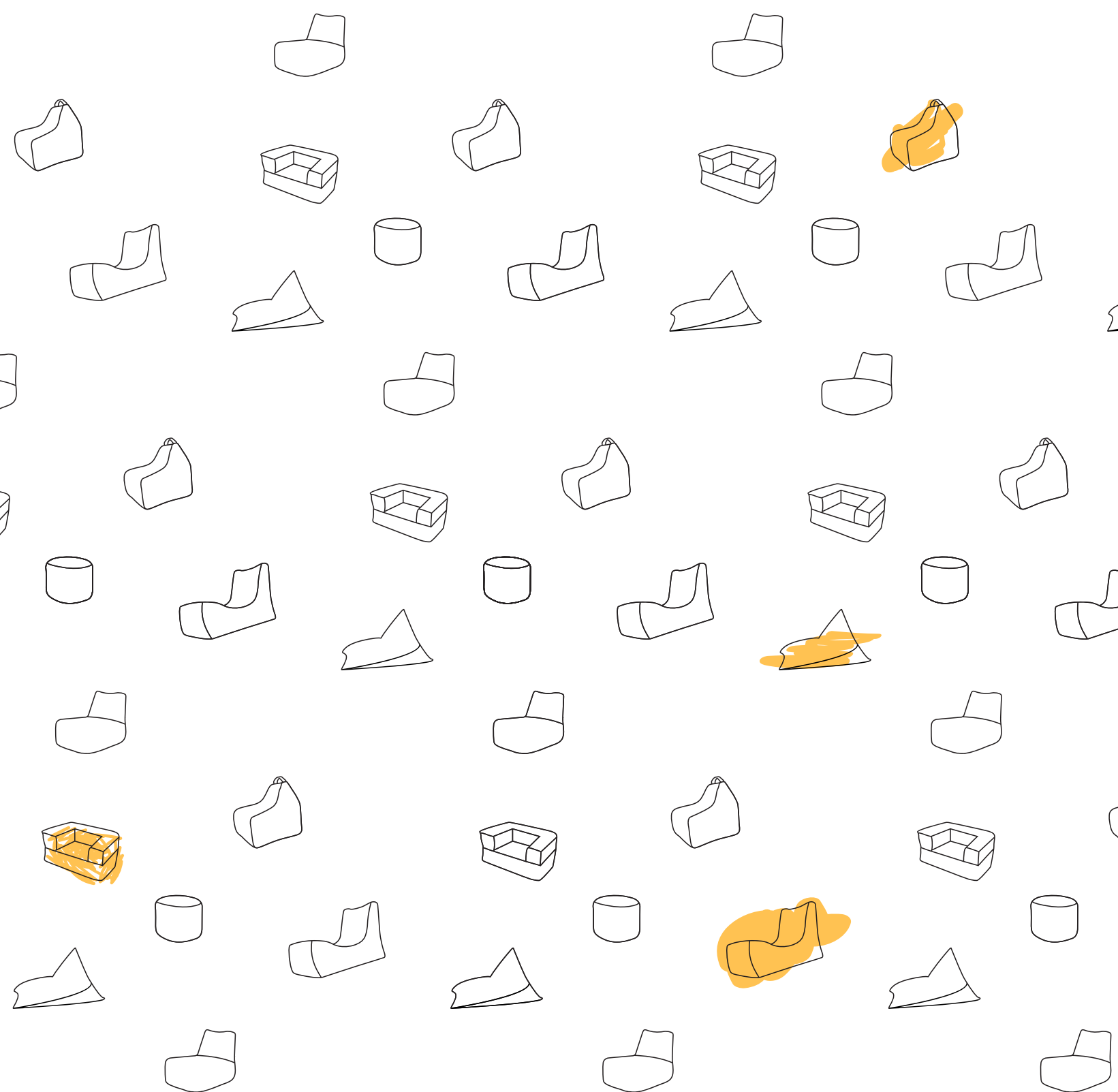
Find more Fabrics & Colours on page 50.



/// MODEL & FABRIC: PLAY HOME, MINI HOME



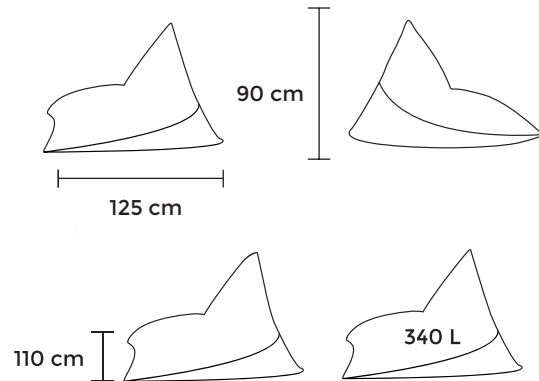





# Razz

For extraordinary comfort!

Pusku pusku Catalogue



-  Length: **125 cm**
-  Height: **90 cm**
-  Width: **110 cm**
-  Volume: **340 L**
-  Handmade
-  With inner bag

*Razz* is a triangular bean bag designed to feel special comfort. A soft piece of furniture is designed with a backrest; the granules inside it adapt to the body shape, so it is especially suitable for easy lounge. This handmade sitting-bag is equipped with an additional handle inside, so it is convenient to carry it to different places in the room. *Razz* is especially popular among young people, and is often used in the rest rooms of start-ups and during informal meetings.

Find more Fabrics & Colours on page 50.



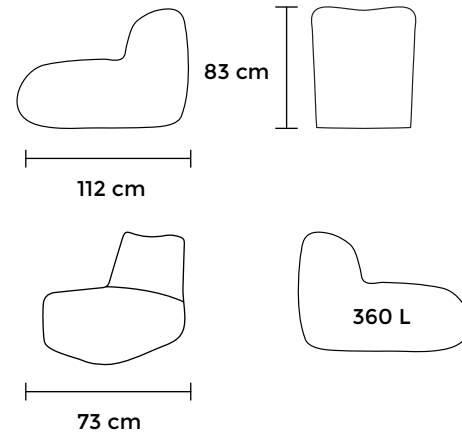
// **MODEL & FABRIC:** RAZZ QUILTED NORDIC







# Tube

Lithuanian passion, Italian design!

DESIGNED IN ITALY  
BY  
**whynot**

Pusku pusku Catalogue



-  Length: **112 cm**
-  Height: **83 cm**
-  Width: **73 cm**
-  Volume: **360 L**
-  Handmade
-  With inner bag

*Tube* is elliptically tubular bean bag, which is the best alternative to usual chair. The fabric of handmade bean bags is cut diagonally and joined, thus creating a stylish geometric composition. This piece of furniture is distinguished by the combination of two different colours, making it easily recognizable and pleasing to the eye. The bean bag *Tube* can be used both outdoors and indoors, as only specially selected durable fabrics are used for the manufacture of armchair. *Tube* is a bean bag created in Italy and made in Lithuania that will become a bright accent in every house.

Find more Fabrics & Colours on page 50.



// MODEL & FABRIC: TUBE NORDIC

# Roll

For extra soft lounging!

---

Pusku pusku Catalogue



**Roll 85**



**Roll 100**



Length: **88 cm / 100 cm**



Height: **60 cm / 65 cm**



Width: **88 cm / 100 cm**



Volume: **300 L / 400 L**



Handmade



With inner bag

*Roll* is a donut-shaped bean bag designed for especially soft lounging. Round handmade bean bags are made in two sizes: *Roll 85* is smaller and more compact, and *Roll 100* is more suitable for spacious homes. This soft piece of furniture is designed with handles so that it would be easily moved to different places in the room, thus making it suitable for both children and adults. The granules inside the bean bag perfectly adapt to the body shape, thus providing a person with more comfort. *Roll* is a perfect choice when you just want to lounge and nothing more.

Find more Fabrics & Colours on page 50.



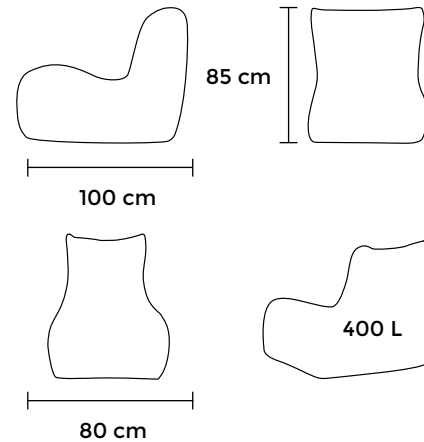
// MODEL & FABRIC: ROLL 100 NORDIC

# Seat

For everyone's comfort!



Pusku pusku Catalogue



- Length: **100 cm**
- Height: **85 cm**
- Width: **80 cm**
- Volume: **400 L**
- Handmade
- With inner bag

*Seat* is an armchair-shaped bean bag that has already become classic and has had its model design patented. Handmade bean bag is designed with a comfortable backrest and headrest; the granules inside it adapt to the body shape, so a person can have a pleasant relaxation. This soft piece of furniture is designed for different needs: it is convenient when you work or play computer games, watch movies, read books. *Seat* is a universal bean bag, and therefore, suitable for the use in homes, cottages, conference rooms and events.

Find more Fabrics & Colours on page 50.



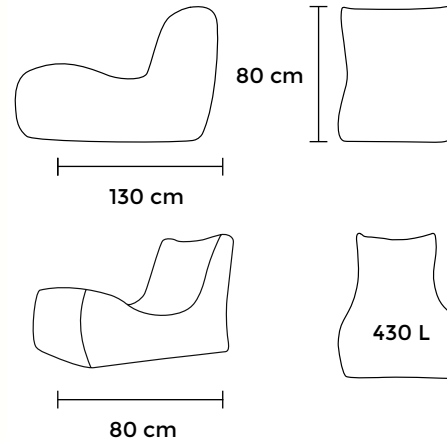


// **MODEL & FABRIC:** SEAT QUILTED OUTSIDE, PLUS QUILTED OUTSIDE

# Lounge

For a relaxing evening!

Pusku pusku Catalogue



-  Length: **130 cm**
-  Height: **80 cm**
-  Width: **80 cm**
-  Volume: **430 L**
-  Handmade
-  With inner bag

*Lounge* is an armchair-shaped bean bag designed for comfortable relaxation after a day's work. Handmade bean bag has a backrest and extended sitting part, so a person can pleasantly support his back and head and stretch his tired legs. The granules inside this bed, which adapt to the body shape, make it especially favoured by nursing mothers. *Lounge* is a soft armchair, which is often used in rest rooms of companies or home terraces, courtyards and homesteads.

Find more Fabrics & Colours on page 50.



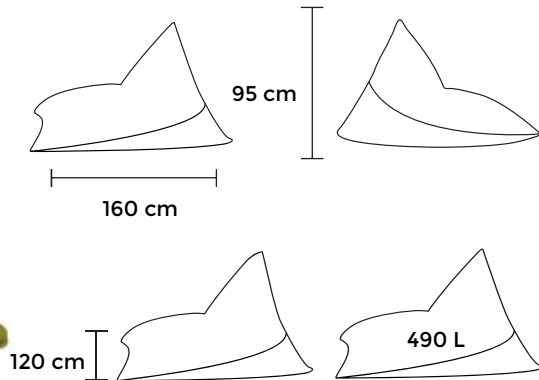
// **MODEL & FABRIC:** LOUNGE NORDIC




# Razzmatazz

For spacious home!

---

Pusku pusku Catalogue



-  Length: **160 cm**
-  Height: **95 cm**
-  Width: **120 cm**
-  Volume: **490 L**
-  Handmade
-  With inner bag

*Razzmatazz* is a triangular bean bag for spacious home. A hand-made soft piece of furniture is designed with extended sitting part, a backrest and headrest; the granules adapt to the body shape, so the bean bag is suitable for very tall people. The bean bag is equipped with an additional handle inside, so it is convenient to move it to different places in the room. *Razzmatazz* is a comfortable piece of furniture, often used on outdoor terraces, verandas, cottages or lofts.

Find more Fabrics & Colours on page 50.

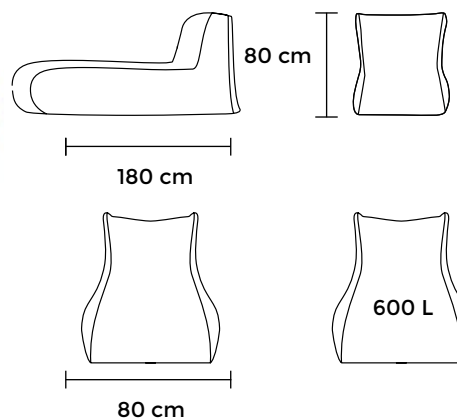


// **MODEL & FABRIC:** RAZZMATAZZ QUILTED NORDIC

# Sunbed

For lazing around!

Pusku pusku Catalogue



-  Length: **180 cm**
-  Height: **80 cm**
-  Width: **80 cm**
-  Volume: **600 L**
-  Handmade
-  With inner bag

*Sunbed* is a deckchair-shaped bean bag for lovers of lying by the pool or on the terrace. Almost two meters long handmade bean bag is perfect for tall people and lovers of sunbathing. This bed is designed with a comfortable backrest; the granules inside it adapt to the body shape, so a person can have a pleasant relaxation. *Sunbed* is a comfortable bean bag, which is often used on terraces of restaurants, cottages and hotel spaces by water pools.

Find more Fabrics & Colours on page 50.

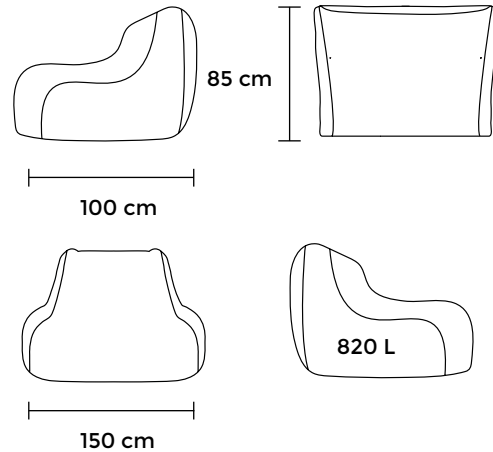




// **MODEL & FABRIC:** SUNBED OUTSIDE, SOFT TABLE 40 OUTSIDE

# Sofa Seat

For a cozy get-together with friends!

Pusku pusku Catalogue



-  Length: **100 cm**
-  Height: **85 cm**
-  Width: **150 cm**
-  Volume: **820 L**
-  Handmade
-  With inner bag

*Sofa Seat* is a comfortable bean bag, which is the best alternative to conventional sofas. The model of handmade bean bag reminds a standard sofa, but as soon as you sit down, the granules adapt to the shape of your body, and it becomes even more comfortable; it is easy to move and go through any door. Several friends and family members can enjoy this bean bag at the same time. *Sofa Seat* is a universal sofa that is suitable for not only watching TV, but also cosy sitting by the fireplace, reading and working at the computer.

Find more Fabrics & Colours on page 50.



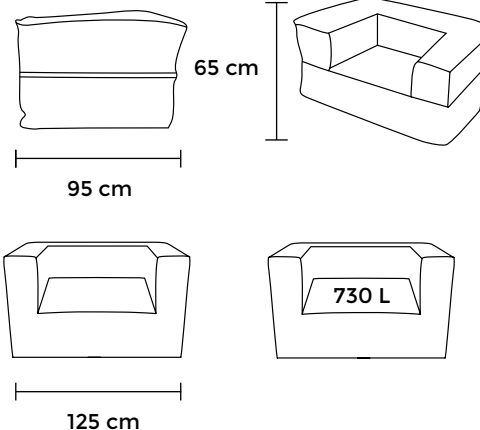








// **MODEL & FABRIC:** SOFA SEAT NORDIC

# MooG

For royal rest!

Pusku pusku Catalogue



-  Length: **95 cm**
-  Height: **65 cm**
-  Width: **125 cm**
-  Volume: **730 L**
-  Handmade
-  With inner bag

*MooG* is a chair-shaped bean bag created for royal rest. At first glance, a handmade bean bag reminds a stable throne, but after sitting, the polystyrene granules inside it adapt to the body shape of a person, and it becomes even more comfortable. Modern and solid-shaped chair is perfect for those, who want to combine classics and modernity in their interior. *MooG* is a bean bag, which creates the impression of a massive piece of furniture, and therefore, it is best for the use in spacious homes or offices.

Find more Fabrics & Colours on page 50.



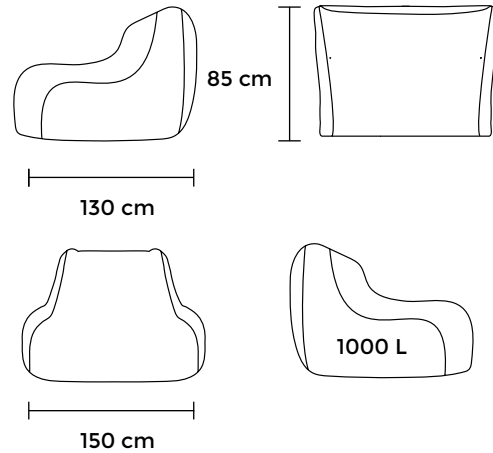
// **MODEL & FABRIC:** MOOG OX, SOFT TABLE 40 OX

# Sofa Lounge

## Relaxation for couples!

---

Pusku pusku Catalogue



-  Length: **130 cm**
-  Height: **85 cm**
-  Width: **150 cm**
-  Volume: **1000 L**
-  Handmade
-  With inner bag

*Sofa Lounge* is a sofa-shaped bean bag for pleasant relaxation for two. A handmade soft piece of furniture is designed with a backrest and extended sitting part, so it is easy to rest on it and stretch your legs. This bean bag adapts to the body shape of a person; external slipcover can be taken off and cleaned up, and therefore, it is a great alternative to standard sofas. *Sofa Lounge* is a perfect choice for those, who have much space in their houses, homesteads and offices.

Find more Fabrics & Colours on page 50.

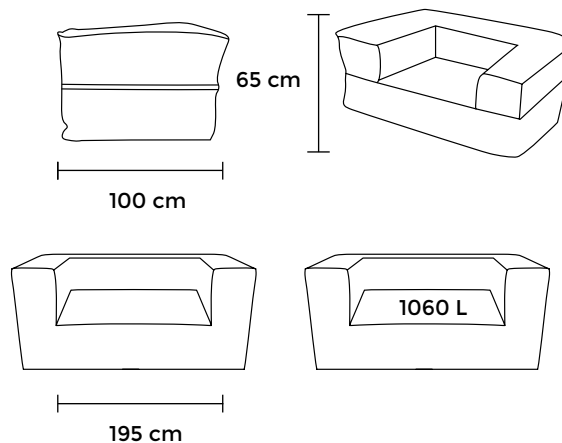



// **MODEL & FABRIC:** SOFA LOUNGE NORDIC

# Sofa MooG

A royal rest for couples!

Pusku pusku Catalogue



-  Length: **100 cm**
-  Height: **65 cm**
-  Width: **195 cm**
-  Volume: **1060 L**
-  Handmade
-  With inner bag

*Sofa MooG* is a sofa-shaped bean bag designed for royal relaxation for two. A handmade sofa is the best alternative to conventional sofas, because it goes through any door thanks to polystyrene granules inside it, and most importantly, it adapts to the body shapes of a person. This piece of furniture is suitable for both classical and modern interior; it is commonly used in spacious homes and big offices. *Sofa MooG* is a solid and comfortable bean bag for lovers of non-standard furniture.

Find more Fabrics & Colours on page 50.



// **MODEL & FABRIC:** SOFA MOOG OUTSIDE, MINI QUILTED OUTSIDE, MINI OUTSIDE

S E T S





**Joyful**

1 pc. Play  
2 pcs. Mini



**Positive**

1 pc. Razz  
2 pcs. Mini



**Lucky**

2 pcs. Seat  
1 pc. Soft Table 60



**Restful**

2 pcs. Lounge  
1 pc. Soft Table 60



**Cheerful**

1 pc. Sofa Lounge  
2 pcs. Seat  
1 pc. Soft Table 60



**Happy**

1 pc. Sofa Seat  
2 pcs. Seat  
1 pc. Soft Table 60



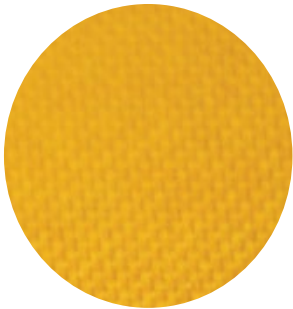
**Dreamy**

1 pc. Sofa MooG  
2 pcs. MooG  
1 pc. Soft Table 60



# Fabrics

Our broad assortment of colours and fabrics will let you choose the right *Pusku pusku* bean bag chair for you. Our specialists carefully select fabrics according to technical requirements to ensure the highest quality of the product. Every fabric has its own unique characteristics: some are perfect for relaxing at home while others are indispensable for outdoor use. Choose the option that works best for you!



## Fabric OX – Youthful and flamboyant!

OX is a very bright and colorful fabric, especially suitable for youngsters. Actually, it is our most popular fabric. Why? We think that everyone wants to be young and have some piece of “Youthful Flamboyance!”. Advertising companies love this fabric, because it is waterproof and they can place it in indoor/outdoor events. OX is perfect for public, because it is suitable for hard use. The fabric is practical, because it can be cleaned or washed easily.



100 % polyester with PVC backing



Weight: 380 g/ m<sup>2</sup>



Abrasion resistance: 60 000



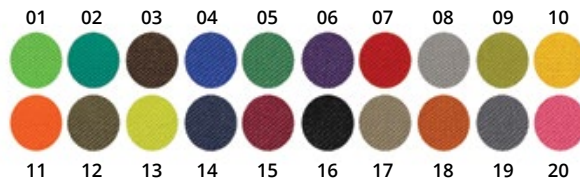
For temporary use outside



Washable



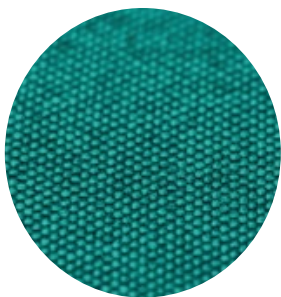
Cleanable



01. Fresh, 02. Turquoise, 03. Chocolate, 04. Blue, 05. Green, 06. Purple, 07. Red, 08. White Grey, 09. Lime, 10. Yellow, 11. Orange, 12. Khaki, 13. Kiwi, 14. Navy, 15. Burgundy, 16. Black, 17. Beige, 18. Pumpkin, 19. Grey, 20. Pink.



// **MODEL & FABRIC:** SEAT OX, LOUNGE OX, PLUS OX



## Fabric Nordic – Stylish and Scandinavian!

Nordic is an especially soft fabric for indoor use and very pleasant to touch. There is a wide variety of choice in Nordic pallet, so you can find both pastel and vivid colours. Combining these Scandinavian shades and fabric softness you can find the perfect solution for you home interior!

Our fabric Nordic has received a OEKO-TEX® 100 certificate. Nordic fabric has a OEKO-TEX® 100 certificate that confirms that this furniture tapestry meets the international ecological standard OEKO-TEX®. This means that the Nordic material is high quality, completely safe to use, reliable, and contains no harmful substances and allergens, therefore it is particularly suitable for children.



100 % polyester



Weight: 330 g/ m<sup>2</sup>



Abrasion resistance: 100 000



Washable



Breathable



Certified fabric OEKO-TEX® 100

01 02 03 04 05 06 07 08 09 10 11 12



01. Beige, 02. Chocolate, 03. Concrete, 04. Grey, 05. Latte, 06. Lime, 07. Navy, 08. Red, 09. Silver, 10. Turquoise, 11. Violet, 12. Pumpkin.



## Fabric Quilted Nordic – Soft and modern!

Quilted Nordic is made from our fabric called Nordic and contains stitched soft layer on the back side, which creates a different feeling of softness and keeps stronger shape of bean bag at the same time. This quilted style turns bean bags from quite casual products into more solid and more classic ones.

Quilted Nordic Fabric has a OEKO-TEX® 100 certificate that confirms that this furniture tapestry meets the international ecological standard OEKO-TEX®. This means that the Quilted Nordic material is high quality, completely safe to use, reliable, and contains no harmful substances and allergens, therefore it is particularly suitable for children.



100 % polyester



Weight: 645 g/ m<sup>2</sup>



Backing 100 % polyester



Abrasion resistance: 100 000



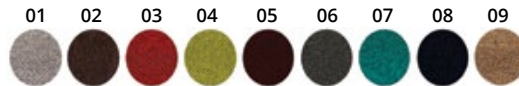
Washable



Breathable



Certified fabric OEKO-TEX® 100



01. Concrete, 02. Chocolate, 03. Red, 04. Lime, 05. Burgundy, 06. Grey, 07. Turquoise, 08. Navy, 09. Latte.



## Fabric Outside – Inside and outside!

Outside is strong and durable artificial leather suitable for both outdoor and indoor! Outside is very practical material: it is easy to maintain, because any dust or dirt can be easily cleaned with a wet cloth. You can print extra bright colours and high-quality images on Outside fabric, therefore it is highly recommended for companies to advertise their brands. Artificial leather bean bag chairs are often used in corporate outdoor events, recreational areas and residential balconies, terraces and homesteads. Use bean bag chairs of this fabric anywhere and anytime!



2 % PU, 83 % PVC, 15 % polyester



Weight: 600 g/ m<sup>2</sup>



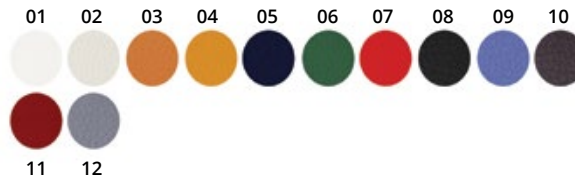
Abrasion resistance: 120 000



Water resistant



Cleanable



01. White, 02. Beige, 03. Orange, 04. Yellow, 05. Dark Blue, 06. Green, 07. Red, 08. Black, 09. Blue, 10. Brown, 11. Dark Red, 12. Grey.



## Fabric Quilted Outside – Classic and solid!

Quilted Outside is made from our artificial leather fabric Outside. It contains a soft stitched layer on the back side which adds more softness for a very strong Outside leather. These classic style bean bags could be a solution for people who look for solid furniture.



2 % PU, 83 % PVC, 15 % polyester



Weight: 915 g/ m<sup>2</sup>



Abrasion resistance: 120 000



Backing 100 % polyester



Water resistant



Cleanable

01

02

03

04

05



01. White, 02. Dark Red, 03. Brown, 04. Beige, 05. Black.



## Fabric Home – Cozy and subtle!

Home is a cozy fabric for a cozy and calm room where silence and stillness allows you to relax completely. It's suitable for mature people who are looking for furniture in pastel colors. It has an option of plain colors that can be combined together in the best way for your interior design. Don't worry if it gets dirty, you can simply take the outer bag off and wash it in a washing machine.

Our fabric Home has received an OEKO-TEX® 100 certificate. Home fabric has an OEKO-TEX® 100 certificate that confirms that this furniture tapestry meets the international ecological standard OEKO-TEX®. This means that the Home material is high quality, completely safe to use, reliable, and contains no harmful substances and allergens, therefore it is particularly suitable for children.



100 % polyester



Weight: 305 g/ m<sup>2</sup>



Abrasion resistance: 100 000



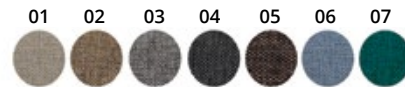
Washable



Breathable

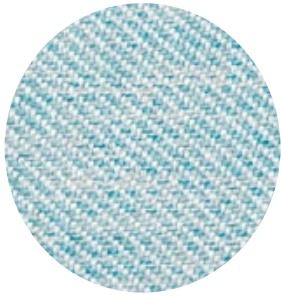


Certified fabric OEKO-TEX® 100



01. Ivory, 02. Cacao, 03. Light Grey, 04. Dark Grey, 05. Dark Cinnamon, 06. Light Blue, 07. Dark Turquoise.





## Fabric Riviera - for temporary outdoor use!

Riviera is the material that comes in a variety of pastel colours, which is suitable for use both in indoor and outdoor spaces. The fabric surface is provided with a special coating – the stain-free layer (teflon) offering lasting protection against dirt and moisture and ensuring run-off of spilled fluids (preventing absorption).

Riviera is child-friendly as it contains no chemical substances (REACH conformity certification) and easy-care – the top surface impurities can be easily wiped off and the external case is suitable for machine wash at 40°C. This is a breathable fabric, which is suitable for temporary outdoor use: on porches, terraces, beaches and pool areas. Riviera fabric – a practical choice inspired by the Mediterranean Sea!



Fabric – 100 % stain-free polyester



Weight: 320 g / m<sup>2</sup>



Abrasion resistant: 100 000 (Martindale rub test)



Machine-washable at a temperature no higher than 40°C, dry cleaning possible



Breathable fabric



Active stain-free protection (provided with special coating – Repellan®)



Hydrophobic fabric (water drops on the fabric surface will run off as separate beads)



Lightfastness: 6/8 (according to ISO 105-B02 standard)



No chemical substances (REACH conformity certification)

01 02 03 04 05



01. Aquamarine, 02. Flamingo Pink, 03. Light Grey, 04. Reddish, 05. Cacao.



## Fabric Wool – Natural and elegant!

Wool is a natural fabric perfectly suited for the cold season. Our line of bean bags with this fabric is an excellent choice for anyone who enjoys a blend of warmth and elegance. The wool fabric adjusts to changes in a person's temperature, so someone at rest will never overheat or grow cold. The wool's light tickly fibres also improve blood flow. Wool is the best choice when you want to get warm and remember the colours of summer!



70 % wool, 25 % polyester, 5 % other materials



Weight: 400 g/ m<sup>2</sup>



Light colour fastness: 6/ 8



Fireproof: certified EN 1021 – 1&2



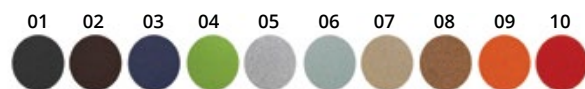
Wear resistance: 150 000 cycles (Martindale test)



Breathable



Care: chemical cleaning



01. Antracit, 02. Ebony, 03. Marine, 04. Green, 05. Light Grey, 06. Soft Blue, 07. Beige, 08. Light Brown, 09. Orange Mel, 10. Red.



// MODEL & FABRIC: SEAT WOOL



## Fabric Deer – Scandinavian and festive!

Deer material is especially soft and pleasant to touch. This tapestry is exclusive because of its Scandinavian motifs, which symbolize the biggest annual celebrations. When two different patterns and shades are combined, the bean bag becomes a natural interior accessory and the house looks very cozy. The handmade bean bag is soft and easy to look after: the outer cover can be removed and washed or replaced with a new one (outer covers have zips). This original present is an excellent surprise to your loved ones during holiday.



100 % polyester



Weight: 330 g/ m<sup>2</sup>



Abrasion resistance: 100 000



Washable



Breathable



01. Beige, 02. Blue.



Bean bag Razz Deer



## Fabric Kuul Design – Inspired by nature and outdoors-resistant!

Kuul Design Fabric – a creation inspired by culture, nature, everything natural, people, and everyday life. The story of this fabric began when the founder of Pusku pusku went to a furniture exhibition in Riga and saw the Estonian brand Kuul Design's products. They represented modern thinking and valued ideas presented through a creative approach. This fabric is a sturdy and durable artificial leather that is stamped with clear and unique images photographed in southern Estonia. Bean bags made with Kuul Design are suitable for use both indoors and outdoors. When they gather dust or dirt, they are easy to clean with a wet towel.



Artificial leather - 2 % PU, 83 % PVC, 15 % polyester



Weight: 600 g/ m<sup>2</sup>



Abrasion resistance: 120 000



Water resistant



Cleanable



01. Forest Pink.



Bean bag Seat Kuul Design

# EVERYTHING ABOUT QUALITY

M A I N I N F O R M A T I O N



**Inside and outside**

We are making *Pusku pusku* bean bags with love! Product quality control is observed in the process of manufacturing of bean bags, which is ensured by assigning a quality code in every phase of manufacturing.

All bean bags consist of two bags:

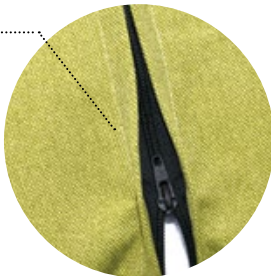
- **an inside bag**, which is filled with a bean bag filling, i. e. polystyrene (EPS) beads;
- **an outside bag**, which is easy to take off and wash or clean (depending on the kind of textile it is made of).

Only strong cloths of special selection and tested by means of the Martindale textile resistance test are used for manufacturing our bean bags.

**Zippers**

Strong zippers with wide teeth are used for outside bags. Pulls of zippers are hidden under the seam of the cloth thus ensuring protection of the floor covering from damage. All inside bags have zippers, which enables the manufacturer to regulate the quantity of the filling that determines softness of the bean bag.

01



// OUTSIDE ZIPPER

02



// INSIDE ZIPPER



### Bean bag Beads

Polystyrene beads that are used for the filling are getting naturally compressed by seating in the course of time. Higher durability and higher density granules are used for *Pusku pusku* bean bags. With the aim to prevent the fire risk, non-flammable granules that are certified as conforming DIN 4102 standard are used for bean bags.

.....



### Packaging

Bean bags are **packed in two ways** on the request of the client:

- in two thick and strong bags made of recycled polyethylene or
- in a cardboard box containing a pre-packed product in a protective polyethylene bag.
- To control the package's moisture levels, every bean bag comes with a disposable baggie that absorbs moisture – a desiccant bag.



Bean bag MINI packaging example

**Bean bag threads and details**

Elements for bean bags are cut out semi-automatically. This method enables the manufacturer to avoid any divergence from the set measurements and eliminate defects in the final product. Edges of all textile elements (cut-outs) used for the manufacturing of bean bags are thread-hemmed thus preventing the cloth from raveling and ensuring high quality of the product. Bean bags are sewn by making a double-stitched seam with reinforced (enhanced strength) threads.

---



Soft woven labels are used  
for labelling bean bags.

PUŠKU PUŠKU

# Advertising

Every year, many companies attempt to find ways to increase popularity of their trademark and attract potential customers. How to become more visible? How to ensure visibility at various events, festivals, beaches and in other public places? Which advertising means must be used to ensure your trademark's long-term benefits?

Jim Beam, Taxify, Coca-Cola, Paulig, Malibu, Chupa Chups, Carlsberg, Palmolive, Beach Tennis Club, Somersby, Lays, Pepsi, DPD, Google, Bacardi, Perrier, KIA, Pringles – all these brands have already invoked one particular advertising measure – bean bags with logo prints or embroidery. The high quality *Pusku pusku* bean bags can be successfully integrated into the advertising campaigns (e.g., “buy a product – win a bean bag”); presentations or tasting demonstrations; recreational areas at various events where the consumers happily lounge on bean bags and share their pleasant moments on Facebook and Instagram all year long!



PLAY / MINI BEAN BAGS EMBROIDERY



COCA-COLA POP-UP STORE

# Print

*Pusku pusku* handcrafted bean bags can be designed according to your request. You can choose partial printing or completely cover the bean bag chair with your chosen image. For the best result, we recommend the OX or Outside fabrics.



PRINT Examples



// MODEL & FABRIC: SEAT OUTSIDE

# Embroidery

Because of our broad assortment of bean bags, both children and adults can find the right option for them, and all of our bean bag chairs can be embroidered according to your choice. We embroider logos, names or other messages on various fabrics and at various sizes. Contact us and we'll make a unique bean bag just for you!



EMBROIDERY Examples





BENEDIKTAS VANAGAS, „DAKAR RALLY“ RACER

// MODEL & FABRIC: SEAT / PLUS OUTSIDE, EMBROIDERY

Pušku pušku





**Contact Information**

[www.puskupusku.com](http://www.puskupusku.com)

[info@puskupusku.com](mailto:info@puskupusku.com)

+370 620 95094

